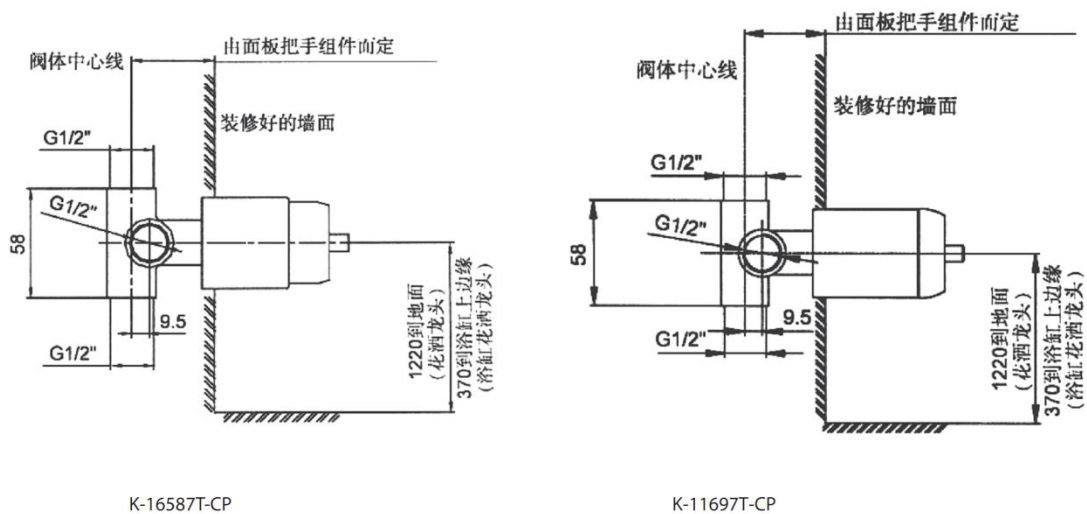


### Product Specification:

Model	Finish
<b>35mm Recessed Shower Valve I</b>	
K-16587T	CP AF BN SN
<b>35mm Recessed Shower Valve II</b>	
K-11697T	CP AF BN SN

### Product Dimension:



Please note that the above information are subject to change without notice.